

PLAN VIEW

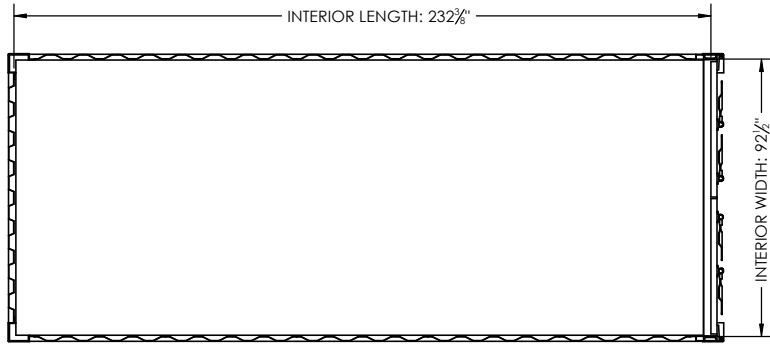
# ContainerWest

**PROPRIETARY AND CONFIDENTIAL**  
 THE INFORMATION CONTAINED IN THIS DRAWING IS THE SOLE PROPERTY OF CONTAINERWEST. ANY REPRODUCTION IN PART OR AS A WHOLE WITHOUT THE WRITTEN PERMISSION OF CONTAINER WEST IS PROHIBITED.

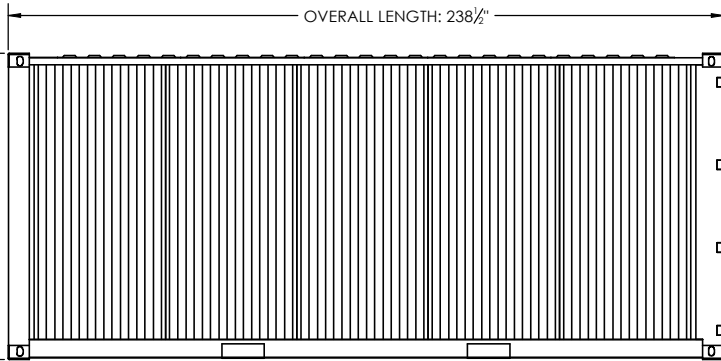
CLIENT: CUSTOMER LAYOUT

QUALITY:				DRAWN BY:	DATE (MM/DD/YY)
-		1/2	.xx		
	A	1/4	0.05	CHECKED BY:	DATE (MM/DD/YY)
	B	1/8	0.10		
	C	1/16	0.25		
INDEX A= FINE B= STANDARD C= COARSE	GENERAL TOLERANCES UNLESS OTHERWISE STATED			CHECKED BY:	DATE (MM/DD/YY)

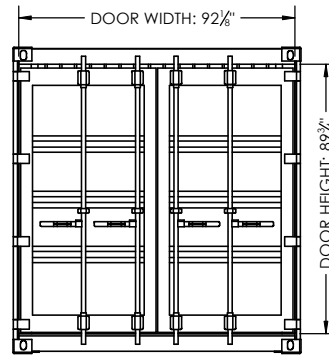
TITLE: 20FT STANDARD	
REV.:	SCALE: 1:36
-	DRAWING NUMBER: 20ft Standard Container
SHEET: 1 OF 1	SIZE: A



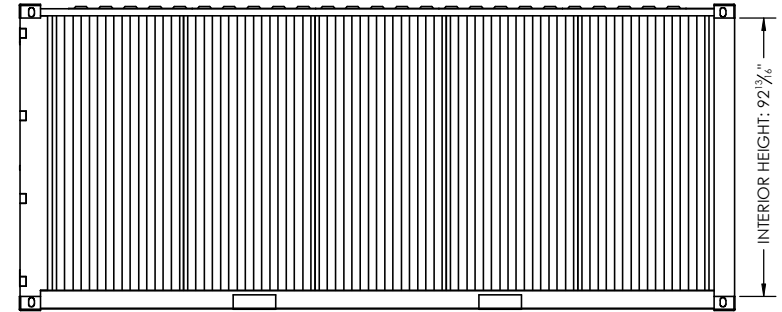
TOP (ROOF HIDDEN)



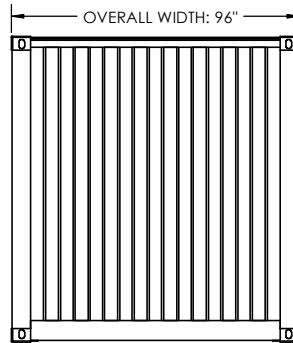
LHS



FRONT



RHS



BULKHEAD

ALL DIMENSIONS ARE APPROXIMATES

# ContainerWest

PROPRIETARY AND CONFIDENTIAL  
 THE INFORMATION CONTAINED IN  
 THIS DRAWING IS THE SOLE  
 PROPERTY OF CONTAINERWEST.  
 ANY REPRODUCTION IN PART OR  
 AS A WHOLE WITHOUT THE WRITTEN  
 PERMISSION OF CONTAINERWEST IS  
 PROHIBITED.

CLIENT  
**CONTAINER WEST**  
**RICHMOND, BC**

TITLE  
**20FT STD CONTAINER**  
**CONTAINER DIMENSIONS**

DRAWN BY: WC  
 DATE (MM/DD/YY): 11/26/09

CHECKED BY: MM  
 DATE (MM/DD/YY): 11/26/09

SCALE: 1:32  
 DRAWING NUMBER: 20ft-STD

SHEET: 1 OF 1  
 SIZE: C

REV.