

ContainerWest

PROPRIETARY AND CONFIDENTIAL

THE INFORMATION CONTAINED IN THIS DRAWING IS THE SOLE PROPERTY OF CONTAINERWEST. ANY REPRODUCTION IN PART OR AS A WHOLE WITHOUT THE WRITTEN PERMISSION OF CONTAINER WEST IS PROHIBITED.

CLIENT

CUSTOMER LAYOUT

QUALITY:

-

$\frac{1}{2}$.xx .xxx

A $\frac{1}{2}$ 0.05 0.010

B $\frac{1}{2}$ 0.10 0.05

C $\frac{1}{2}$ 0.25 0.125

INDEX
A= FINE
B= STANDARD
C= COARSE

GENERAL TOLERANCES
UNLESS OTHERWISE STATED

DRAWN BY:

DATE (MM/DD/YY)

CHECKED BY:

DATE (MM/DD/YY)

CHECKED BY:

DATE (MM/DD/YY)

TITLE

40FT STANDARD CONTAINER

REV.

-

SCALE:

1:56

DRAWING NUMBER

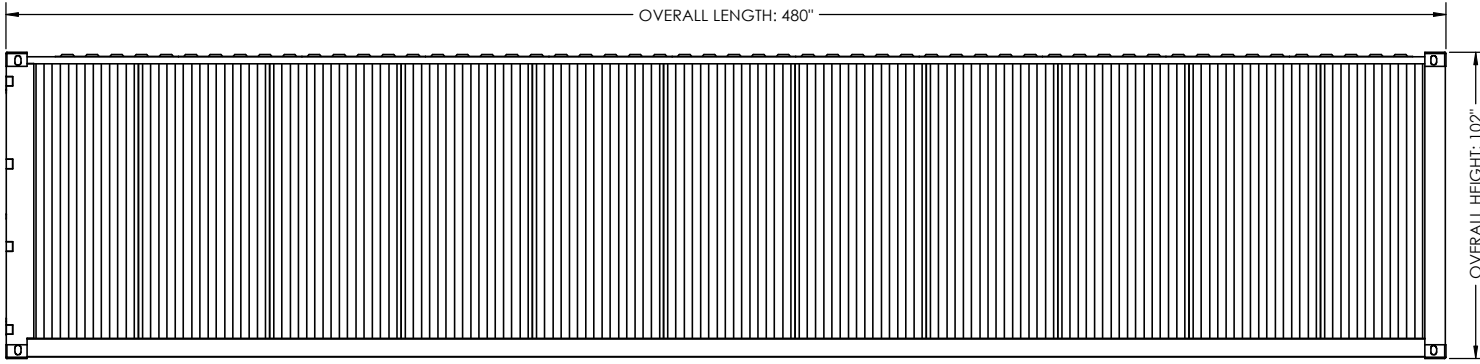
40' Standard
Container

SHEET

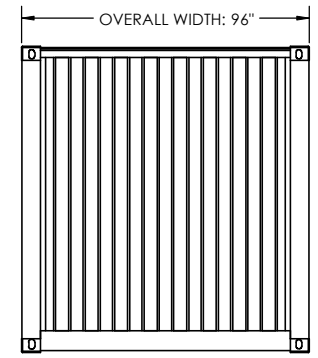
1 OF 1

SIZE

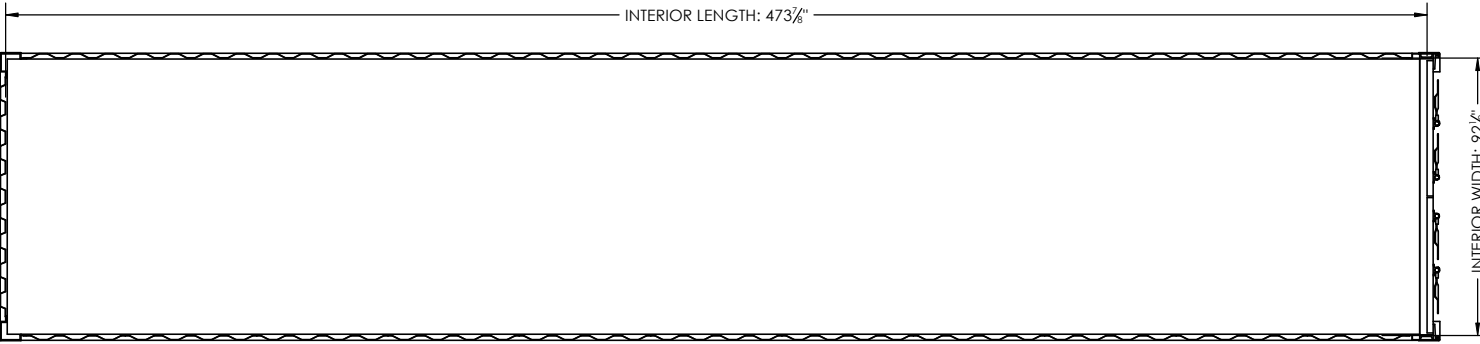
A



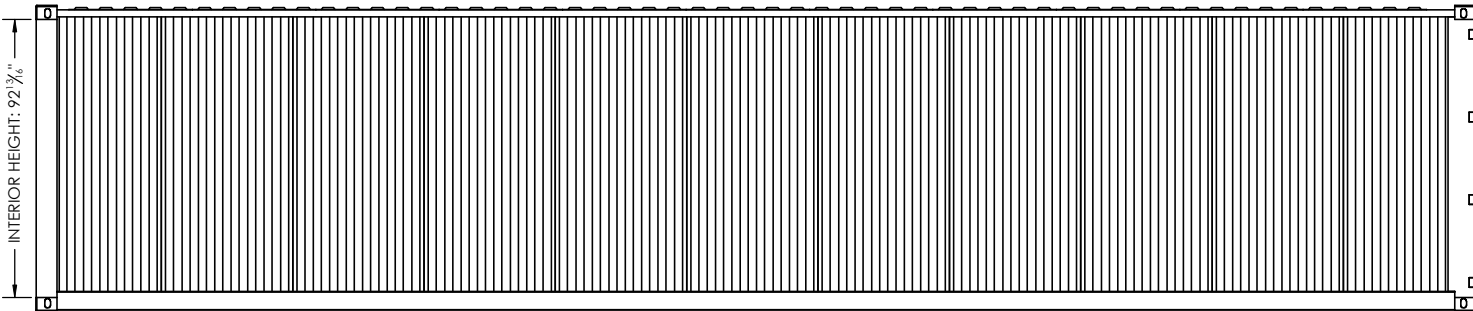
RHS



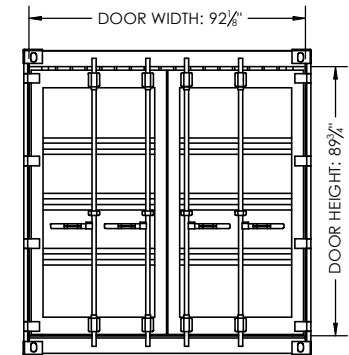
BULKHEAD



TOP (ROOF HIDDEN)



LHS



FRONT

ContainerWest

PROPRIETARY AND CONFIDENTIAL
 THE INFORMATION CONTAINED IN
 THIS DRAWING IS THE SOLE
 PROPERTY OF CONTAINERWEST.
 ANY REPRODUCTION IN PART OR
 AS A WHOLE WITHOUT THE WRITTEN
 PERMISSION OF CONTAINERWEST IS
 PROHIBITED.

CLIENT
**CONTAINER WEST
 RICHMOND, BC**

TITLE
**40FT STD CONTAINER
 CONTAINER DIMENSIONS**

DRAWN BY: WC
 DATE (MM/DD/YY): 11/26/09

CHECKED BY: MM
 DATE (MM/DD/YY): 11/26/09

SCALE
 1:32

DRAWING NUMBER
 40ft-STD

SHEET
 1 OF 1

REV.
C

ALL DIMENSIONS ARE APPROXIMATES